



TESTERAL

**RAILINGS
SYSTEM**

Company



COMPANY

Testeral company is the largest and most respected manufacturer of aluminium joinery from Serbia. Family owned business with more than 20 years of experience in the industry.

We provide an extensive range of high performance, low maintenance, secure and energy efficient products. Our inspired and skilled workforce is committed to delivering the projects on-time and continually strives for excellence while maintaining our strong family work ethic. Manufacturing plant is equipped with a new CNC machines (Urban and Elumatec) with large production capacity. Testeral is dedicated on creating strong relationships with their customers which gives us the opportunity to constantly improve our products, service and quality. In this way Testeral is able to successfully meet the high requirements of the different markets, which makes us the biggest exporter of aluminium joinery in the territory of Serbia. Currently we are exporting our products to Switzerland, France, Austria, Germany, Italy, Sweden, Australia and USA.

Testeral offers wide range of aluminium products:

- Windows and Doors

- Glass Facades (Curtain walls)
- Blinds and Shutters
- Conservatories (verandas) - Winter Gardens
- Aluminium Railings system (Fences and Balconies)
- Main Entrance Door

QUALITY POLICY



Long-term goals for the quality policy of the company Testeral are: Fully satisfied customer with our services, Developing cooperation, establishing partnerships with suppliers in order to achieve customer requirements, Motivating employees and constant care of their further professional training in order to improve the quality of the production process, Continuous improvement of the quality management system, Contribution to protecting the environment, health and safety at work.

PARTNERS



Products



ALUMINIUM WINDOWS

Windows make a significant contribution to the style and character of your house. They are not only a decorative element, but also have a decisive influence on your quality of life within your own four walls. Windows affect the entire atmosphere of a room. The value of your house can be also increased through high-quality windows. The right "window architecture" also provides your home with a visual focus. Windows from Schüco, Elvial, Wicona or Aliplast continue to set international standards for energy-saving, security, convenience and design. The savings potential is enormous. Up to 80 % of energy can be saved as a result of efficient insulation.



PVC WINDOWS

PVC is the most frequently used material for windows. Due to its excellent value for money and its very good thermal insulation properties, PVC-U is often the number one choice for windows. New windows provide for additional comfort at home. Their design and the materials used provide very effective sound insulation. Two sealing levels also prevent draughts even when the wind is blowing hard outside. In addition, the optimum transparency of modern insulating glass allows for greater light than ever before.



ALUMINIUM DOORS

Your entrance door is key to the overall impression your house makes and the focal point of your façade. The right combination of door frame, infill panel and handle is essential to a well-balanced overall impression. This is why Testeral provides a wide range of products all of which will satisfy your requirements in terms of design, fitting, quality and functionality.



ALUMINIUM FENCES AND BALCONIES

Testeral can offer aluminium fences and balconies with a wide variety of designs, optimum system compatibility, individual design options and a high level of weather resistance. They are suitable for new buildings and existing residences. The balcony not only increases comfort in your home, it also raises the value of your property. Aluminium fencing should be strong, durable and well designed.

Products



ALUMINIUM FACADES

Facade glazing - is a modern solution for buildings to stand out against the background of other city buildings, it gives a solidity and unique appearance. Glass facade allows designers and architects to realize a unique concepts, forms, and to surprise with variety of approaches of buildings design. Façades are the central unit in the planning and design of building envelopes. Testeral offers a variety of systems, which allow even the most innovative façade concepts to be realized supremely well architecturally: from window façades with a perfect appearance to impressive structural glazing and high-tech synergy façades.



SHUTTERS

Shutters are ideal for use in domestic and residential properties, and equally suitable for commercial buildings and offices. Aesthetically pleasing and of lightweight construction, they also offer insulation against noise, cold and heat. Whether you select the manual operation system – simple to use and lightweight for ease of action, or our electrically operated models which can be controlled via a wall mounted switch or key fob, we're sure that we have the right shutter for you.



STEEL DOORS

Thanks to its highly resistant material characteristics, steel is perfect for highly frequented buildings such as schools, hospitals, sports centres and at all public buildings. Stainless steel adds a graceful look and reduces maintenance to a minimum. Janisol stainless steel is therefore the right choice for shopping malls, railway stations, banks and hotels.



ALUBOND

Apart from the aesthetic point of view, there are a number of functional reasons what Alubond can provide for every home and building. It has both interior and exterior applications as a building material. It is commonly used as an exterior facade that forms the outer skin of a building. The application of the product is largely dependent on the architect design of the structure. Alubond is a good thermal insulator which can reduce the cost of heating in winter and cooling in summer.



WINTERGARDEN / CONSERVATORIES

Absolute living comfort for a feeling of well-being every season. There are many reasons to build a conservatory. Practical reasons, because people simply need more space. Emotional reasons, because people would like to live closer to nature. Or aesthetic reasons, because an elegant extension adds a certain air to a home. From a financial perspective, a conservatory is also an investment that pays off. A high quality conservatory increases the value of a home. And a conservatory is also an intelligent buffer zone which helps you to save energy in both summer and winter.



PERGOLA

Pergola gives you the opportunity to your outdoor space protect from the sun, rain and wind. It can be adapted to any architectural concept and satisfy all needs. Innovative shading system of unique design, with rotating louvers for shading outdoor and semi-open spaces, which offers both natural ventilation and protection from rain with the corresponding adjustment of the louvers. Aluminium pergolas are made from high quality materials.



Top in transparency.
Maximum of light
and space!

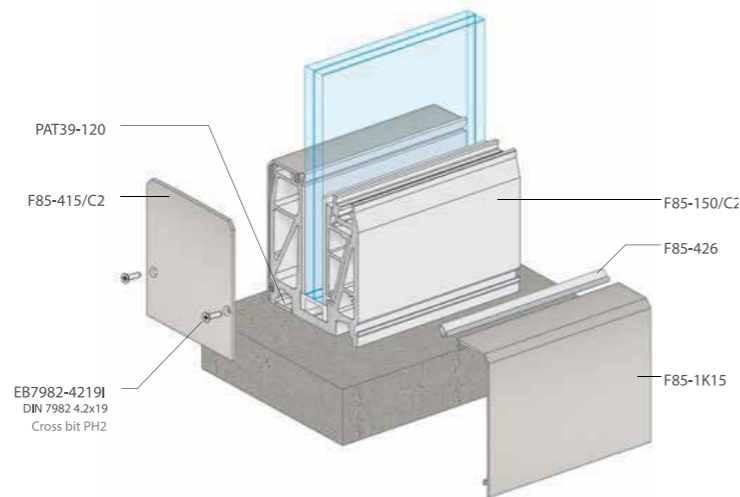
C2·line



6 ON-FLOOR SYSTEM

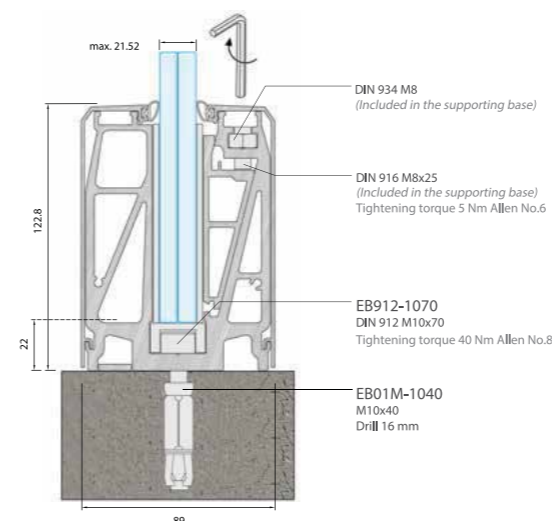
Frame-less glass offers a seamless and stylish appearance which is unmatched by any other product.

For a sleek and unobtrusive look, Type C2 is the indisputable solution. The square line supporting bases are fixed on the ground profile and covered by fascia profiles, easy to remove in case of glass replacement. Glass panels specified for this system are: 88.4, 1010.4, thickness of 17.52 mm & 21.52 mm. Maximum height at 1200 mm.



Fixing point

F85-150C2/16	F85-300C2/16
F85-150C2/20	F85-300C2/20

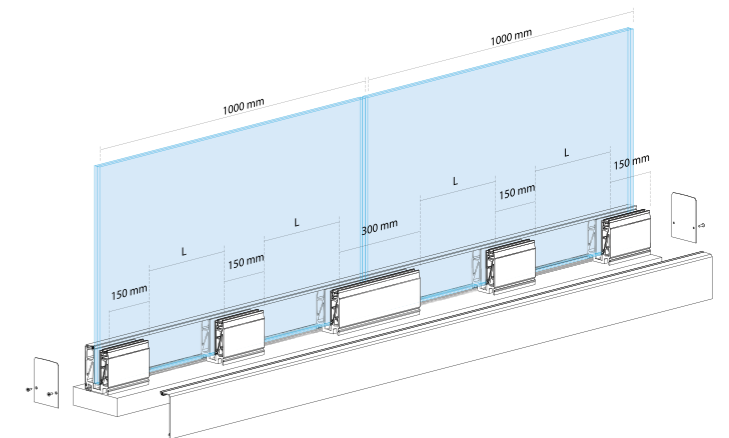


Glass section C2

8.8.4 (17.52)

10.10.4 (21.52)

Installation of supporting profile



Balustrade Type	Tempered Glass Panel	Height of balustrade	Static loading category (horizontal loads)	Dynamic Loading Category (Impact Test)
Crystalline-C2	8.8.4	1000 mm	Residential and Office buildings	Residential and Office buildings
Crystalline-C2	10.10.4	1100 mm		Residential and Office buildings
Crystalline-C2	8.8.4 (Du Pont Sentry)	1100 mm	Residential and Office buildings	Residential and Office buildings and Dynamic Missile Impact Test Weight 4,5 kg

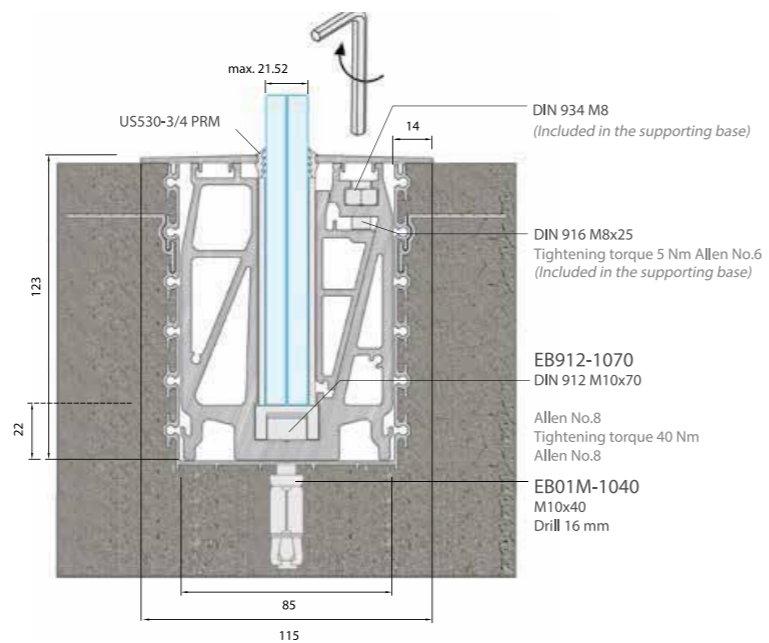
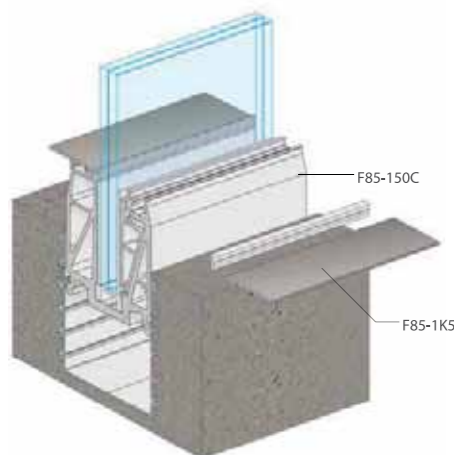
Recommended number of bases / m	8.8.4 (17.52)			10.10.4 (21.52)		
	Glass height	Handrail	No. of bases / m	Glass height	Handrail	No. of bases / m
600 mm	-	-	3	275 mm	-	3
	F85-203	-	2	700 mm	F85-203	2
	F85-204	-	2	700 mm	F85-204	2
	-	-	3	275 mm	-	3
1000 mm	F85-203	-	3	275 mm	F85-203	3
	F85-204	-	3	275 mm	F85-204	3
	-	-	4	133 mm	-	4
	F85-203	-	3	275 mm	F85-203	3
1100 mm	F85-204	-	3	275 mm	F85-204	3
	-	-	5	62.5 mm	-	5
	F85-203	-	4	133 mm	F85-203	4
	F85-204	-	4	133 mm	F85-204	4

Amazing look without any interruptions, suitable for both indoor and outdoor use!

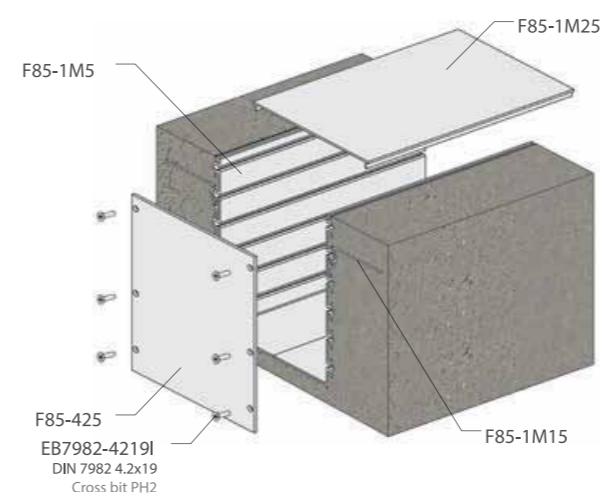
C2u·line

IN-FLOOR SUPPORT SYSTEM

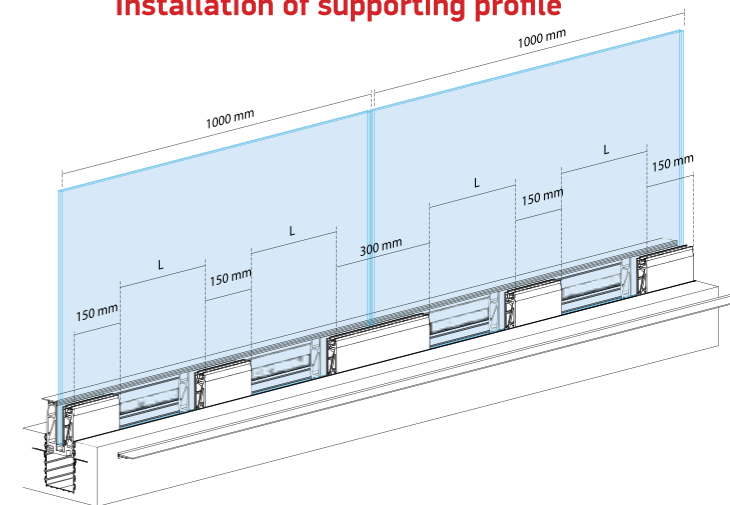
Glass balustrades are unmatched for their ability to bring safety, visual appeal and practicality to any internal or external space. Type C2U offers all of these qualities and even more, in its "hidden" in-floor assembly. Suitable for swimming pools or any terrace where no barriers to the feeling of freedom are welcomed. Glass panels to be used are 88.4 or 1010.4, in thickness of 17.52 mm & 21.52 mm maximum height of 1200 mm.



Glass section C2
8.8.4 (17.52)
10.10.4 (21.52)



Installation of supporting profile



Recommended number of bases / m	8.8.4 (17.52)				10.10.4 (21.52)			
	Glass height	Handrail	No. of bases / m	L	Glass height	Handrail	No. of bases / m	L
600 mm	-	-	3	275 mm	600 mm	-	3	275 mm
	F85-203	F85-203	2	700 mm	F85-203	F85-203	2	700 mm
1000 mm	F85-204	F85-204	2	700 mm	F85-204	F85-204	2	700 mm
	-	-	3	275 mm	-	-	3	275 mm
1100 mm	F85-203	F85-203	3	275 mm	F85-203	F85-203	3	275 mm
	F85-204	F85-204	3	275 mm	F85-204	F85-204	3	275 mm
1200 mm	-	-	5	62.5 mm	-	-	5	62.5 mm
	F85-203	F85-203	4	133 mm	F85-203	F85-203	4	133 mm
	F85-204	F85-204	4	133 mm	F85-204	F85-204	4	133 mm



E·line



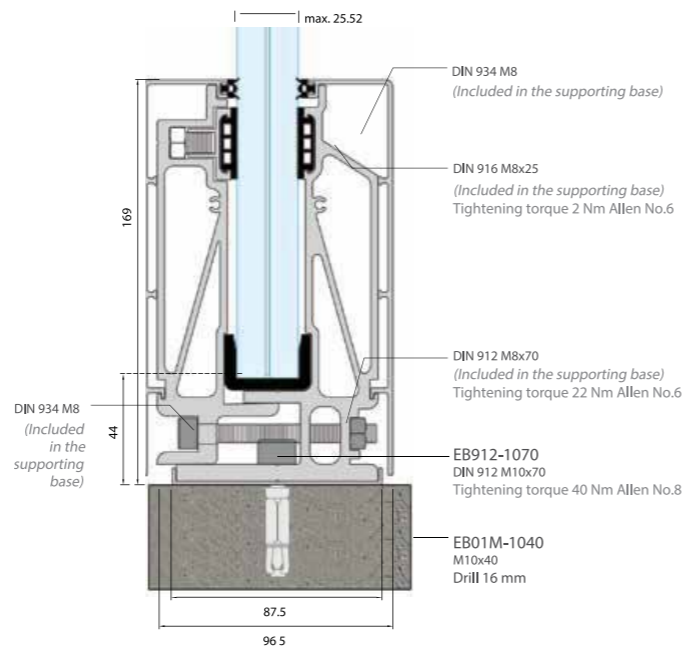
A powerful statement
and the ultimate answer
for maximum strength
and safety!

HEAVY DUTY ON-FLOOR SYSTEM

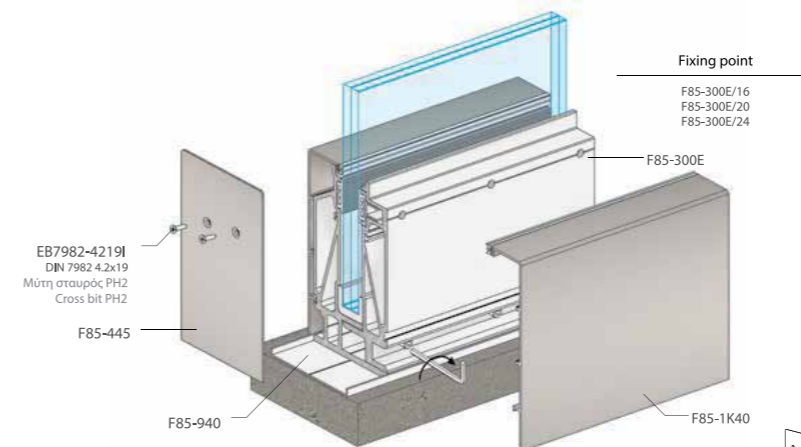
E line system is ultra-robust, combining the benefits of safety, transparency and functionality. It is certified to resist to linear load up to 3 KN/m.

The excellent engineering design with the certified mechanical properties, make it the perfect solution for challenging situations such as sturdy constructions and highly resistant to extreme weather conditions.

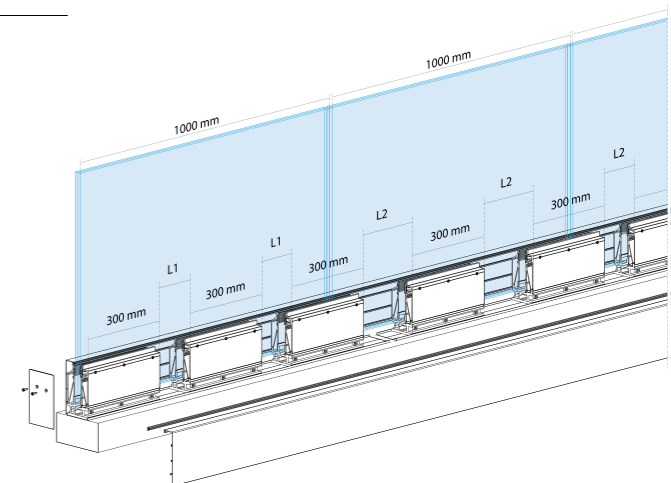
E line system has been installed in countless high-end projects around the world, each one having its own distinctive features and strict requirements.



Glass section E	
8.8.4 (17.52)	
10.10.2 (20.76)	
10.10.4 (21.52)	
12.12.4 (25.52)	



Installation of supporting profile



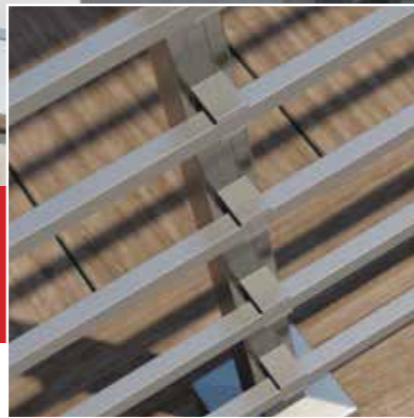
Recommended number of bases/m	8.8.4 (17.52)				10.10.4 (21.52)				12.12.4 (25.52)			
	Height height	Handrail	L1	L2	Height height	Handrail	L1	L2	Height height	Handrail	L1	L2
600 mm	-	125 mm	200 mm		-	125 mm	200 mm		-	125 mm	200 mm	
	F85-203	550 mm	700 mm		F85-203	550 mm	700 mm		F50-203	550 mm	700 mm	
	F85-204	550 mm	700 mm		F85-204	550 mm	700 mm		-	125 mm	200 mm	
	-	125 mm	200 mm		-	125 mm	200 mm		-	125 mm	200 mm	
1000 mm	F85-203	125 mm	200 mm		F85-203	125 mm	200 mm		-	125 mm	200 mm	
	F85-204	125 mm	200 mm		F85-204	125 mm	200 mm		-	125 mm	200 mm	
	-	125 mm	200 mm		-	125 mm	200 mm		-	125 mm	200 mm	
	-	125 mm	200 mm		-	125 mm	200 mm		-	125 mm	200 mm	
1200 mm	F85-203	125 mm	200 mm		F85-203	125 mm	200 mm		-	125 mm	200 mm	
	F85-204	125 mm	200 mm		F85-204	125 mm	200 mm		-	125 mm	200 mm	

Balustrade Type	Tempered glass panel	Height of balustrade	Static loading category (horizontal loads)	Dynamic loading category (impact test)
Crystalline-E	12.12.4 (DG41)	1200 mm	Public Function / stadiums – 3KN	
Crystalline-E	10.10.4 float laminate	1200 mm	Residential and Office buildings, with wind load 540 Pa up to 800 Pa	Residential and Office buildings
Crystalline-E	10.10.2 (DG41) float laminate	1200 mm	Residential and Office buildings, with wind load up to 1080 Pa	Public function
Crystalline-E	12.12.4 (DG41) mixed float laminate	1200 mm	Residential and Office buildings, with wind load 540 Pa up to 800 Pa	Residential and Office buildings
Crystalline-E	12.12.4 (DG41) float laminate	1200 mm	Residential and Office buildings, with wind load up to 1080 Pa	Residential and Office buildings and Public Function
Crystalline-E	10.10.4	1200 mm		Residential and Office buildings and Public Function
Crystalline-E	8.8.4 (Du Pont Sentry)	1100mm	Residential and Office buildings	Residential and Office buildings and Dynamic Missile Impact Test Weight 4.5kg $\leq 4.5g$



Accord XSQUARE

Cubic notion of Accord Square, with discrete, modern connections.



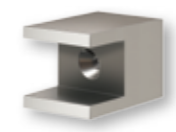
F50-102
Support column 40x40



F50-302
Square 16x16x2



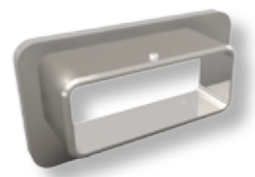
4444
End cap for F50-302 profile



4245
Connector for F50-102/106
Column with F50-302 profile



4447
End cap for F50-201 handrail



4515Z
Wall cover for F50-201/203
handrail (with cap)





Horizon QUATTRO

14

Horizon QUATTRO
Features

A different version of the main design, with square profiles. Limitless view and modern design.

15

Horizon QUATTRO
Features



4515Z

F50-201

4447

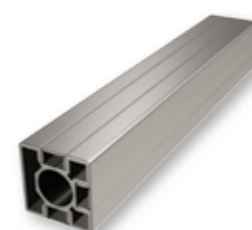
4193

4328

F50-102

F50-122

4122

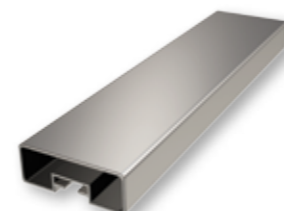


F50-102

Support column 40x40

F50-122

Cover for F50-102 column



F50-201

Handrail 30x80



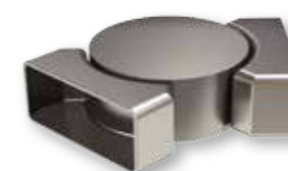
4193

Single glass support 8-10 mm for F50-102/106 columns



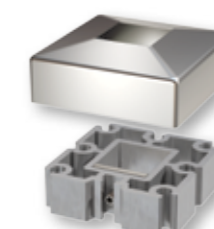
4328

Support for F50-102 column with F50-201 handrail



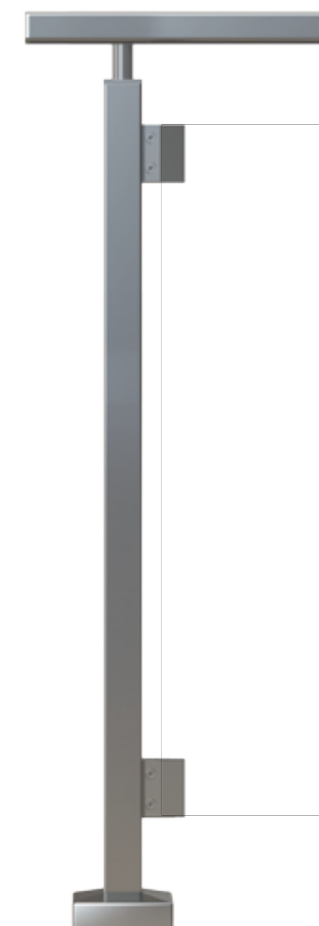
4332

Adjustable corner connector for F50-201/203 railtop



4122

Support foot for 40x40 column





Horizon U-RAIL

16

Horizon U-RAIL
Features

Absolute symmetry. Fine line
harmony creates a wonderful frame
for your own balcony view.

17

Horizon U-RAIL
Features



F50-100
Support column Ø42



F50-305
Guide for glass



4225
Connector for F50-100
column with profile Ø26



4252
Connector for F50-100
Column with profile Ø26



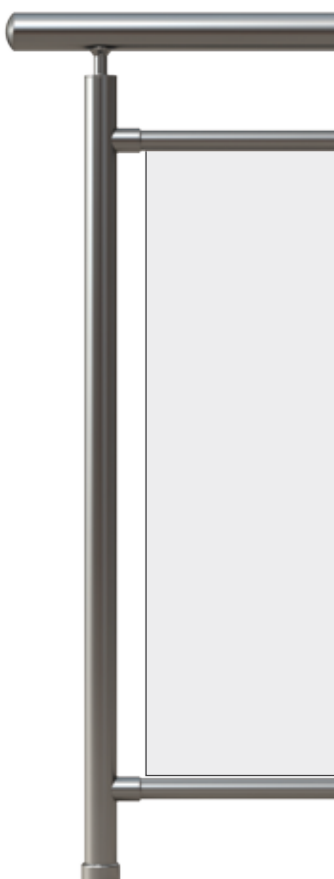
4231
Ø50 Railtop corner connector
to Ø42 column, 90°



4314
Connector for handrail
Ø50 with column Ø42



4509Z
Ø50 με καπάκι
Ø50 Railtop wall cover





Vertical -R



Vertical -Q

18

Vertical-R
Features

One more alternative solution
for the lovers of classic designs.
Delicate luxury in fine lines.

19

Vertical-Q
Features

Smart match of traditional
and modern. A classic
railing in simple lines.



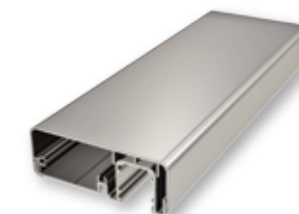
F50-306

Οδηγός διάτρητος Ø26
Perforated guide Ø26



F50-303

Προφίλ Ø16
με υποδοχή για βίδα
Profile Ø16 with screw hole

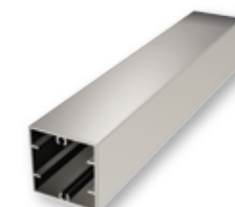


F50-203

Handrail 30x80 (dividable)

F50-223

Cover for dividable handrail F50-203

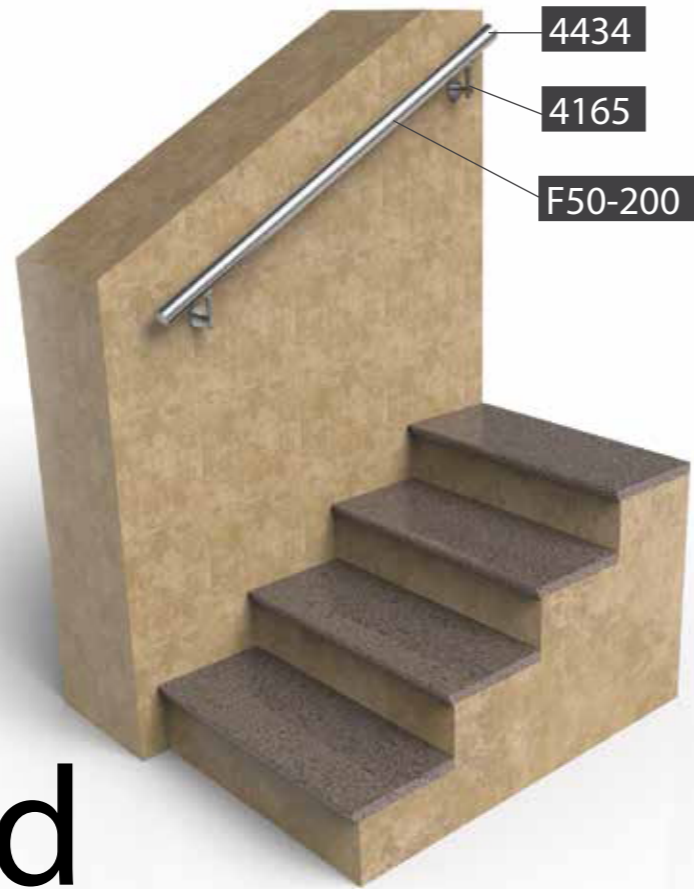


F50-106

Support column 40x40



4116



4434

4165

F50-200

Accord

20

Accord
Features

Specially designed accessories, allow application of the Accord design on any type of staircase, indoor or outdoor.



4165

Wall support for F50-200 handrail



4434

End cap for F50-200 handrail



4329

Adjustable corner connector for column Ø50



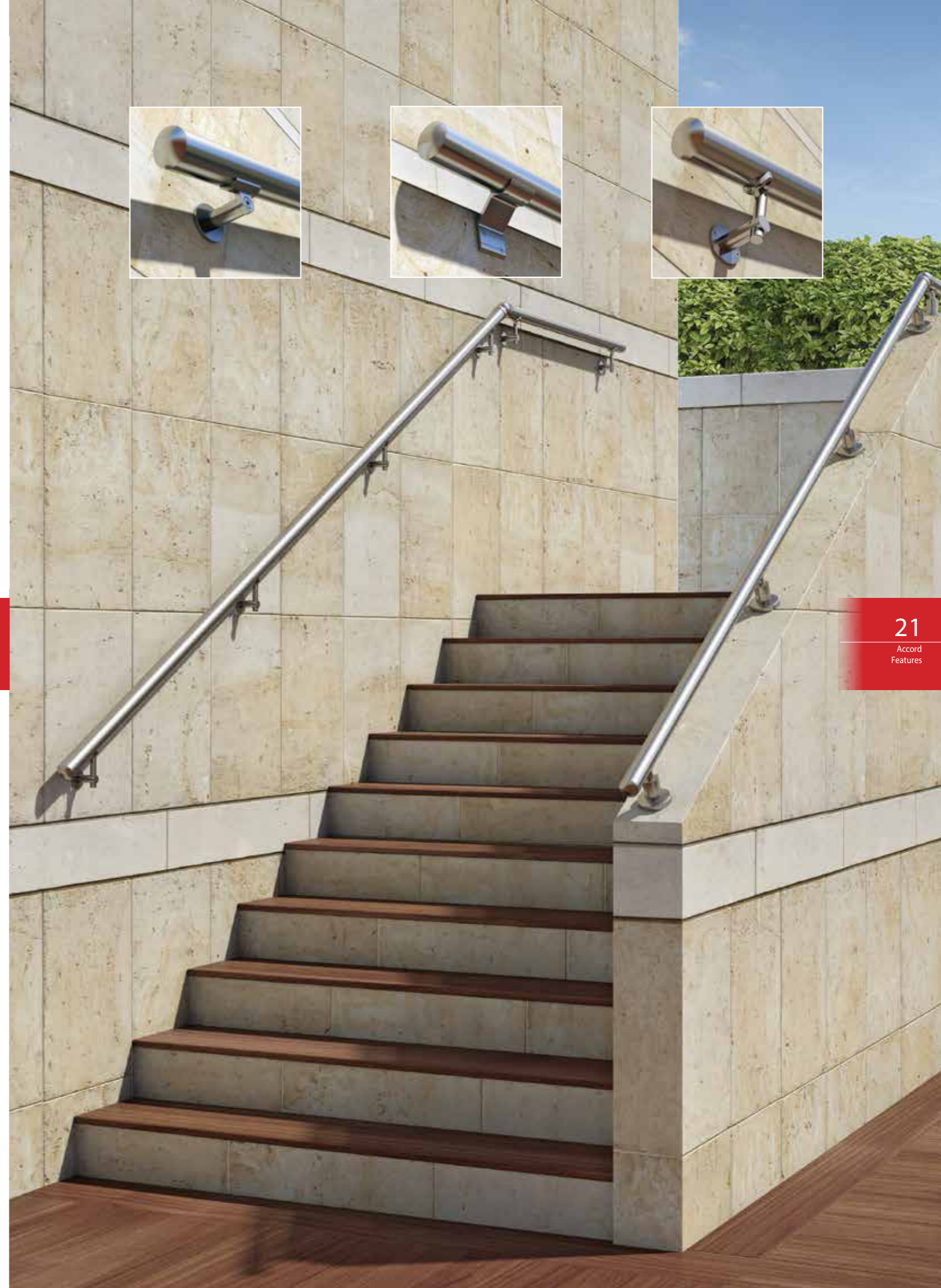
4116

Support for F50-200 railtop



F50-200

Handrail Ø50



21

Accord
Features



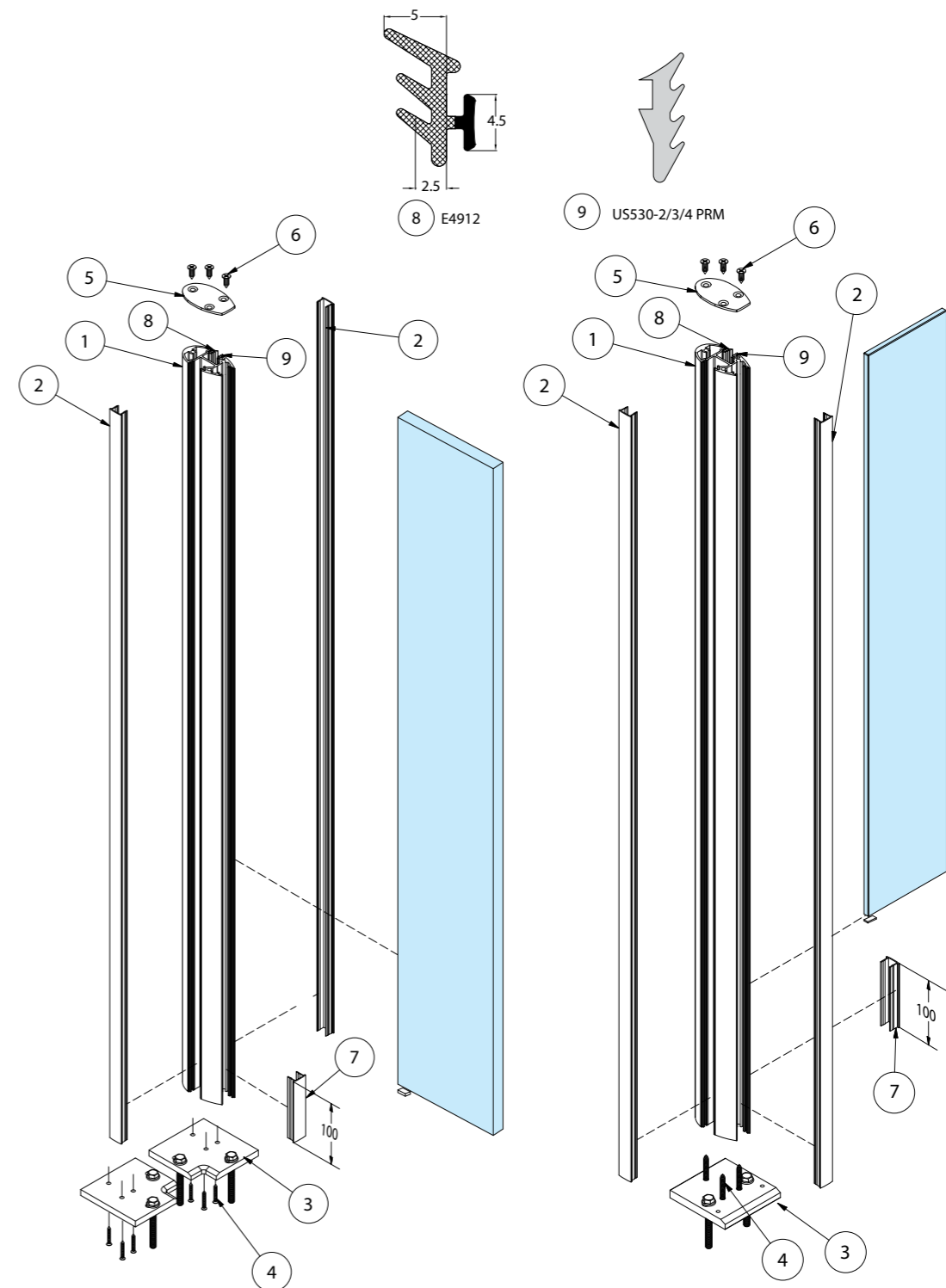
Orbit



24 Particularités Features

Orbit 1

- ⌚ Innovative elliptical design.
- ⌚ High level of robustness, ideal for large glazing openings.
- ⌚ Certification that allows the product use for projects that demand high performance standards (>1.7 KN/m).
- ⌚ Maximum height 2 m & width 1.50 m for special hotel partition applications and max. height 1.20 m and width 1.30 m for typical railing applications.
- ⌚ Ideal solution for space partition in indoor and outdoor spaces.
- ⌚ Having the use of partition cooperates with all Fusion Line handrails for all railing typologies.
- ⌚ Suitable for fixed windscreen in commercial places.
- ⌚ Available in all range of electrostatic and anodising shades.
- ⌚ Suitable for modern homes, commercial buildings and hotels.
- ⌚ Maximum glass thickness 66.2PVB=12.76 mm



PARTS LIST			
PIECE ITEM	QTE QTY	CODE	DESCRIPTION
1	1	FSN -102	ORBIT1 POST
2	2	FSN -122	POST SIDE CAP
3	1	4706	ORBIT1 FOO TPLATE
4	6	d IN7982-6.3x50	FOO TPLATE SCREWS
5	1	4924	ORBIT1 TOP COVER
6	3	d IN965-A2- m6x12	4924 SCREWS
7	1	FSN -122 (100mm)	GLASS STAND-OFF
8	1	E4912	GASKET
9	1	u S530-2/3/4 PR m	GLAZING GASKET

PARTS LIST			
PIECE ITEM	QTE QTY	CODE	DESCRIPTION
1	1	FSN -102	ORBIT1 POST
2	2	FSN -122	POST SIDE CAP
3	1	4703	ORBIT1 FOO TPLATE
4	3	d IN7982-6.3x50	FOO TPLATE SCREWS
5	1	4924	ORBIT1 TOP COVER
6	3	d IN965-A2- m6x12	4924 SCREWS
7	1	FSN -122 (100mm)	GLASS STAND-OFF
8	1	E4912	GASKET
9	1	u S530-2/3/4 PR m	GLAZING GASKET

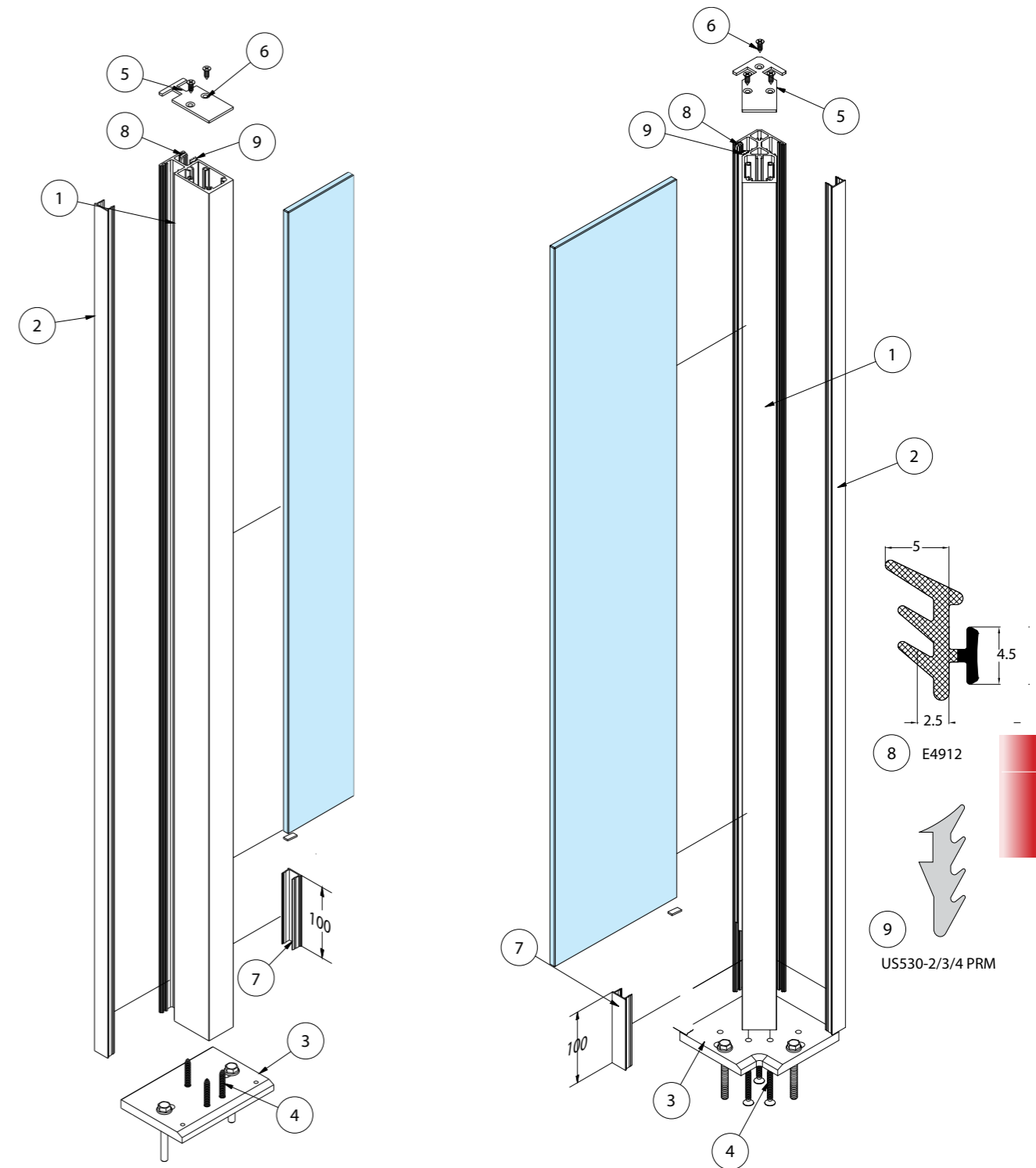
25 Particularités Features

Orbit 1

Typical post assembly

Orbit²

- ⌚ Innovative rectangular type design.
- ⌚ High level of robustness, ideal for large glazing openings.
- ⌚ Certification that allows the product use for projects that demand High Performance Standards (>1.7 KN/m).
- ⌚ Maximum height 1.20 m & width 1.30 m for typical railing applications.
- ⌚ Maximum durability and time resistance.
- ⌚ Suitable for partition use in indoor and outdoor spaces.
- ⌚ Suitable for windbreak stable use in commercial places.
- ⌚ Available in all range of electrostatic and anodising shades.
- ⌚ Maximum glass thickness 66.4PVB=13.52 mm



PARTS LIST			
PIECE ITEM	QTE QTY	CODE	DESCRIPTION
1	1	F5N -103	ORBIT 2 POST
2	1	F5N -123	POST SIDE CAP
3	1	4704	ORBIT 2 FOOT TPLATE
4	3	d IN7982-6.3x50	FOO TPLATE SCREWS
5	1	4933	ORBIT 2 TOP COVER
6	2	d IN7982-A2-4.2x16	4924 SCREWS
7	1	F5N -123 (100MM)	GLASS STAND-OFF
8	1	E4912	GASKET
9	1	u S530-2/3/4 PR m	GLAZING GASKET

PARTS LIST			
PIECE ITEM	QTE QTY	CODE	DESCRIPTION
1	1	F5N -104	ORBIT 2 POST
2	1	F5N -123	POST SIDE CAP
3	1	4705	ORBIT 2 FOOT TPLATE
4	3	d IN7982-6.3x50	FOO TPLATE SCREWS
5	1	4935	ORBIT 2 TOP COVER
6	3	d IN7982-A2-4.2x16	4924 SCREWS
7	1	F5N -123 (100 mm)	GLASS STAND-OFF
8	1	E4912	GASKET
9	1	u S530-2/3/4 PR m	GLAZING GASKET



TESTERAL

MANUFACTURER OF ALUMINUM WINDOWS - DOORS - GLASS FACADES

D.O.O. TESTER-AL, Slovenski put bb, 35000 Jagodina, Serbia
Info: +381 35 200 700, Fax +381 35 200 714, e-mail: office@testeral.com
www.testeral.com

