



TESTERAL

**RAILING  
SYSTEMS**

# Company



## COMPANY

Testeral company is the largest and most respected manufacturer of aluminium joinery from Serbia. Family owned business with more than 20 years of experience in the industry.

We provide an extensive range of high performance, low maintenance, secure and energy efficient products. Our inspired and skilled workforce is committed to delivering the projects on-time and continually strives for excellence while maintaining our strong family work ethic. Manufacturing plant is equipped with a new CNC machines (Elumatec and Urban) with large production capacity. Testeral is dedicated on creating strong relationships with their customers which gives us the opportunity to constantly improve our products, service and quality. In this way Testeral is able to successfully meet the high requirements of the different markets, which makes us the biggest exporter of aluminium joinery in the territory of Serbia. Currently we are exporting our products to Switzerland, France, Austria, Germany, Belgium, Italy, Sweden, Australia and USA.

Testeral offers wide range of aluminium products:

- Windows and Doors
- Glass Structural Facades (Curtain walls)
- Unitized Curtain Wall and Window wall

- Blinds and Shutters
- Aluminium Railings (glass) systems
- Conservatories (verandas) - Winter Gardens
- Main Entrance Door
- Aluminium and Steel Fire resistant windows, doors and curtain walls
- Aluminium and ceramic claddings (Alubond and Fundermax)

## QUALITY POLICY



Long-term goals for the quality policy of the company Testeral are: Fully satisfied customer with our services, Developing cooperation, establishing partnerships with suppliers in order to achieve customer requirements, Motivating employees and constant care of their further professional training in order to improve the quality of the production process, Continuous improvement of the quality management system, Contribution to protecting the environment, health and safety at work.

## PARTNERS



# Products



## ALUMINIUM WINDOWS

Windows make a significant contribution to the style and character of your house. They are not only a decorative element, but also have a decisive influence on your quality of life within your own four walls. Windows affect the entire atmosphere of a room. The value of your house can be also increased through high-quality windows. Windows from Schüco, Elvial, Wicon or Aliplast continue to set international standards for energy-saving, security, convenience and design. The savings potential is enormous. Up to 80 % of energy can be saved as a result of efficient insulation.



## ALUMINIUM DOORS

Your entrance door is key to the overall impression your house makes and the focal point of your façade. The right combination of door frame, infill panel and handle is essential to a well-balanced overall impression. This is why Testeral provides a wide range of products all of which will satisfy your requirements in terms of design, fitting, quality and functionality.



## GLASS FACADES (CURTAIN WALLS)

Facade glazing - is a modern solution for buildings to stand out against the background of other city buildings, it gives a solidity and unique appearance. Glass facade allows designers and architects to realize a unique concepts, forms, and to surprise with variety of approaches of buildings design. Façades are the central unit in the planning and design of building envelopes. Testeral offers a variety of systems, which allow even the most innovative façade concepts to be realized supremely well architecturally: from window façades with a perfect appearance to impressive structural glazing and high-tech synergy façades.



## ALUMINIUM RAILINGS (GLASS) SYSTEMS

Testeral can offer aluminium fences and balconies with a wide variety of designs, optimum system compatibility, individual design options and a high level of weather resistance. They are suitable for new buildings and existing residences. The balcony not only increases comfort in your home, it also raises the value of your property. Aluminium fencing should be strong, durable and well designed.



# Products



## BLINDS AND SHUTTERS

Shutters are ideal for use in domestic and residential properties, and equally suitable for commercial buildings and offices. Aesthetically pleasing and of lightweight construction, they also offer insulation against noise, cold and heat. Whether you select the manual operation system – simple to use and lightweight for ease of action, or our electrically operated models which can be controlled via a wall mounted switch or key fob, we're sure that we have the right shutter for you.



## WINTERGARDEN / CONSERVATORIES

Absolute living comfort for a feeling of well-being every season. There are many reasons to build a conservatory. Practical reasons, because people simply need more space. Emotional reasons, because people would like to live closer to nature. Or aesthetic reasons, because an elegant extension adds a certain air to a home. From a financial perspective, a conservatory is also an investment that pays off. A high quality conservatory increases the value of a home. And a conservatory is also an intelligent buffer zone which helps you to save energy in both summer and winter.



## ALUMINIUM AND CERAMIC CLADDINGS

Apart from the aesthetic point of view, there are a number of functional reasons what Alubond can provide for every home and building. It has both interior and exterior applications as a building material. It is commonly used as an exterior facade that forms the outer skin of a building. The application of the product is largely dependent on the architect design of the structure. Alubond is a good thermal insulator which can reduce the cost of heating in winter and cooling in summer.



## FIRE PROOF WINDOWS AND DOORS

Aluminium fire resistant windows and doors range is available in classifications of EW 30, EI 30(minutes) and EI 60(minutes) in a wide range of inward and outward opening types, with a wide range of door locks to meet every kind of locking demand, including motorized hardware.



## PERGOLA

Pergola gives you the opportunity to your outdoor space protect from the sun, rain and wind. It can be adapted to any architectural concept and satisfy all needs. Innovative shading system of unique design, with rotating louvers for shading outdoor and semi-open spaces, which offers both natural ventilation and protection from rain with the corresponding adjustment of the louvers. Aluminium pergolas are made from high quality materials.



## STEEL WINDOWS AND DOORS

Thanks to its highly resistant material characteristics, steel is perfect for highly frequented buildings such as schools, hospitals, sportscentres and at all public buildings. Stainless steel adds a graceful look and reduces maintenance to a minimum. Janisol stainless steel is therefore the right choice for shopping malls, railway stations, banks and hotels.

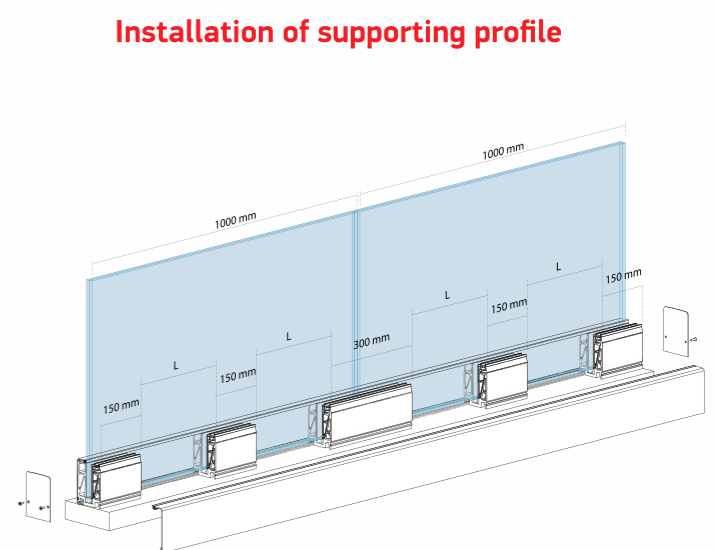
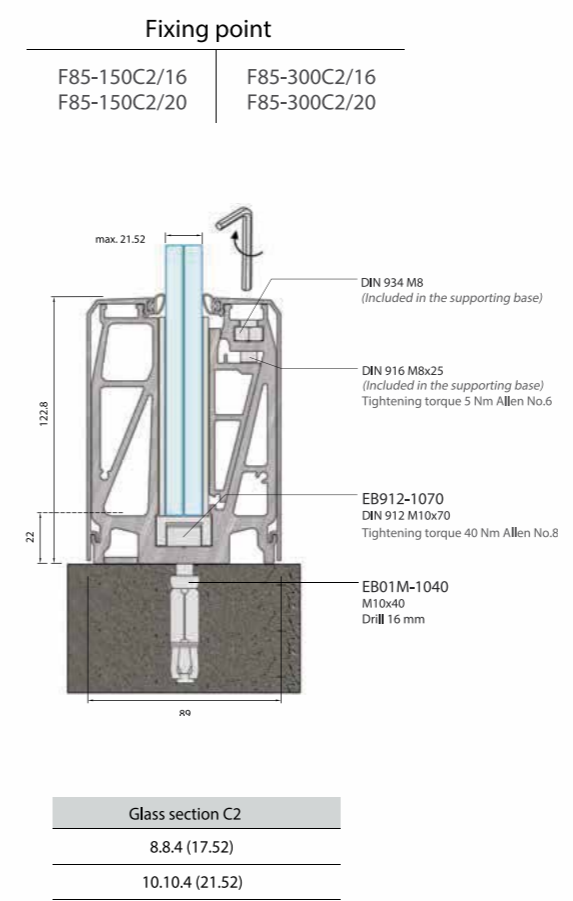
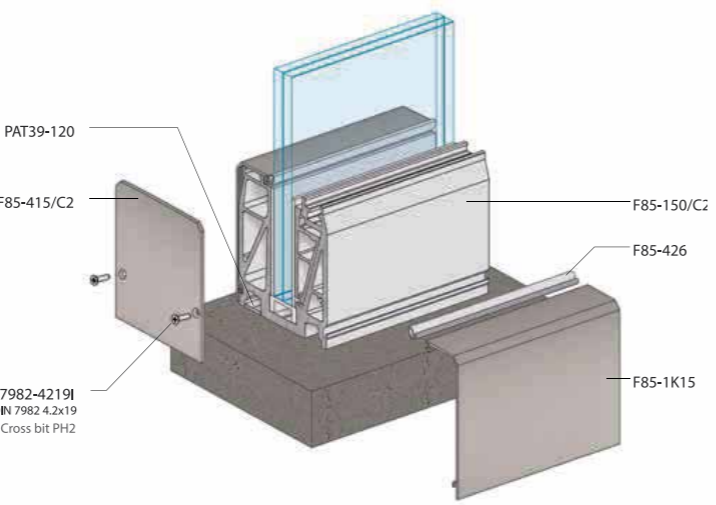




Top in transparency.  
Maximum of light  
and space!



C2·line



**F**rame-less glass offers a seamless and stylish appearance which is unmatched by any other product. For a sleek and unobtrusive look, Type C2 is the indisputable solution. The square line supporting bases are fixed on the ground profile and covered by fascia profiles, easy to remove in case of glass replacement. Glass panels specified for this system are: 88.4, 1010.4, thickness of 17.52 mm & 21.52 mm. Maximum height at 1200 mm.

Balustrade Type	Tempered Glass Panel	Height of balustrade	Static loading category (horizontal loads)	Dynamic Loading Category (Impact Test)
Crystalline-C2	8.8.4	1000 mm	Residential and Office buildings	Residential and Office buildings
Crystalline-C2	10.10.4	1100 mm		Residential and Office buildings
Crystalline-C2	8.8.4 (Du Pont Sentry)	1100 mm	Residential and Office buildings	Residential and Office buildings and Dynamic Missile Impact Test Weight 4,5 kg

Recommended number of bases / m	8.8.4 (17.52)			10.10.4 (21.52)		
	Glass height	Handrail	No. of bases / m	Glass height	Handrail	No. of bases / m
600 mm	-	-	3	600 mm	-	3
	F85-203	-	2	700 mm	F85-203	2
	F85-204	-	2	700 mm	F85-204	2
	-	-	3	275 mm	-	3
1000 mm	F85-203	-	3	1000 mm	F85-203	3
	F85-204	-	3	275 mm	F85-204	3
	-	-	4	133 mm	-	4
	F85-203	-	3	275 mm	F85-203	3
1100 mm	F85-204	-	3	275 mm	F85-204	3
	-	-	5	62.5 mm	-	5
	F85-203	-	4	133 mm	F85-203	4
	F85-204	-	4	133 mm	F85-204	4

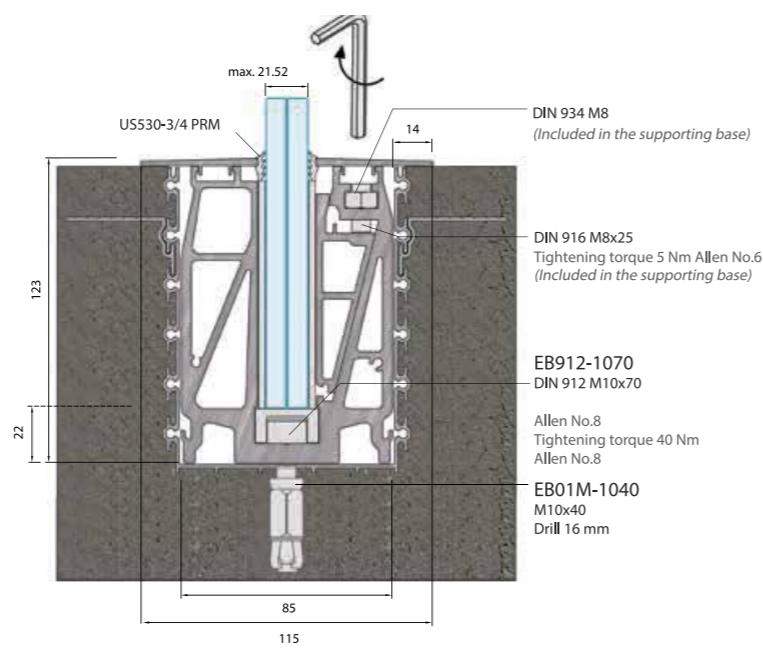
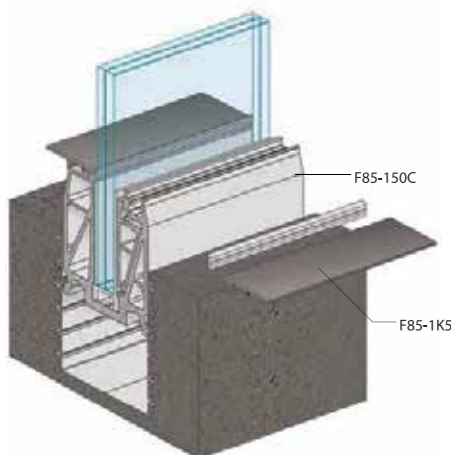


Amazing look without any interruptions, suitable for both indoor and outdoor use!

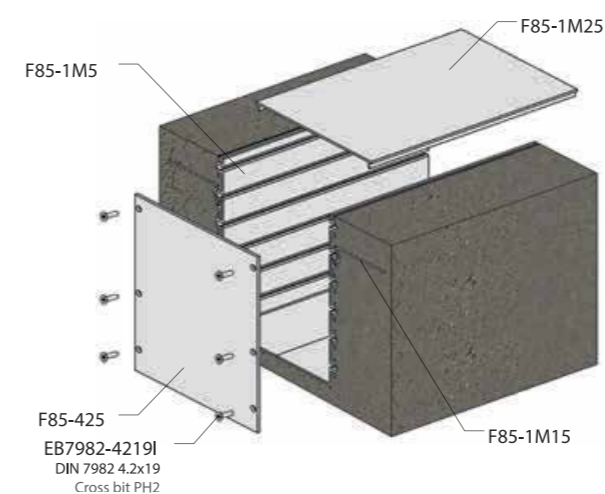
# C2u·line

## 8 IN-FLOOR SUPPORT SYSTEM

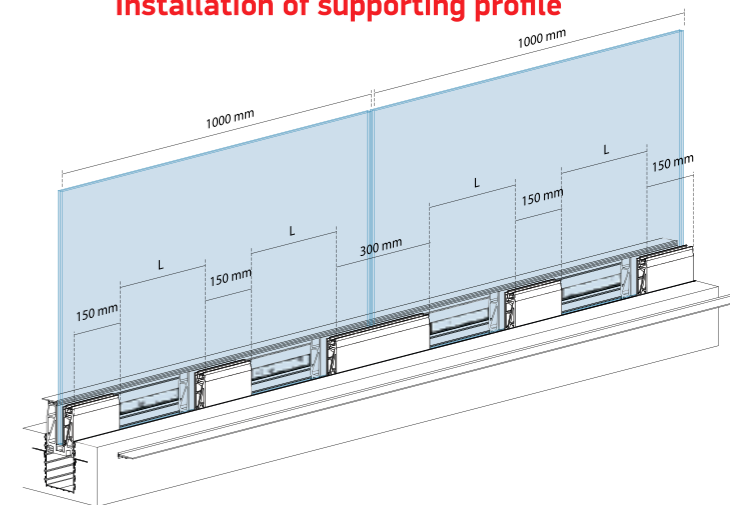
Glass balustrades are unmatched for their ability to bring safety, visual appeal and practicality to any internal or external space. Type C2U offers all of these qualities and even more, in its "hidden" in-floor assembly. Suitable for swimming pools or any terrace where no barriers to the feeling of freedom are welcomed. Glass panels to be used are 88.4 or 1010.4, in thickness of 17.52 mm & 21.52 mm maximum height of 1200 mm.



Glass section C2
8.8.4 (17.52)
10.10.4 (21.52)



### Installation of supporting profile



Recommended number of bases / m	8.8.4 (17.52)				10.10.4 (21.52)			
	Glass height	Handrail	No. of bases / m	L	Glass height	Handrail	No. of bases / m	L
600 mm	-	-	3	275 mm	600 mm	-	3	275 mm
	F85-203	-	2	700 mm	F85-203	-	2	700 mm
1000 mm	F85-204	-	2	700 mm	F85-204	-	2	700 mm
	-	-	3	275 mm	-	-	3	275 mm
1100 mm	F85-203	-	3	275 mm	F85-203	-	3	275 mm
	F85-204	-	3	275 mm	F85-204	-	3	275 mm
1200 mm	-	-	5	62.5 mm	-	-	5	62.5 mm
	F85-203	-	4	133 mm	F85-203	-	4	133 mm
	F85-204	-	4	133 mm	F85-204	-	4	133 mm





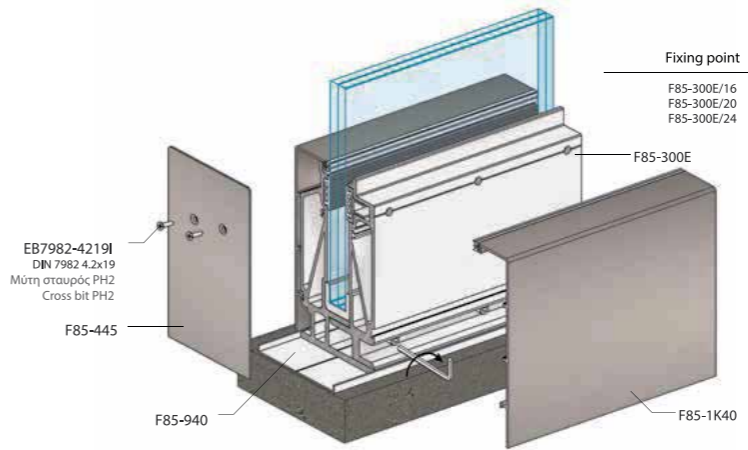
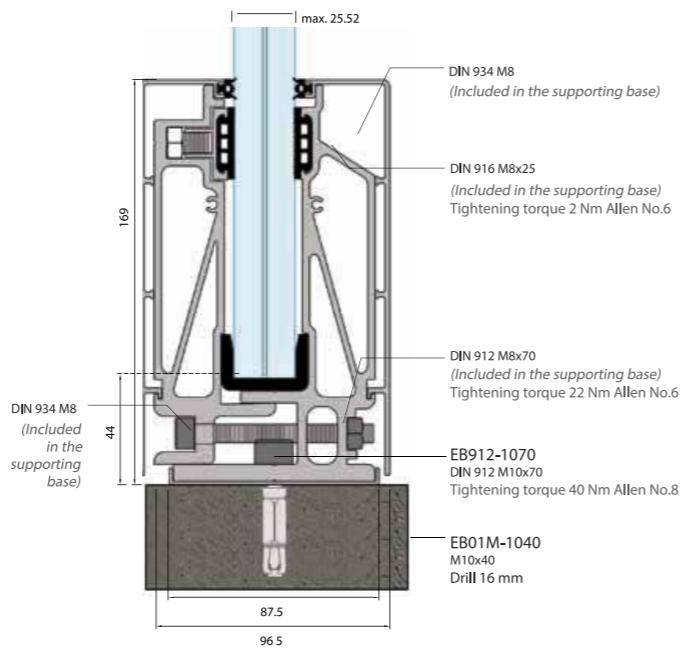
A powerful statement  
and the ultimate answer  
for maximum strength  
and safety!

E·line

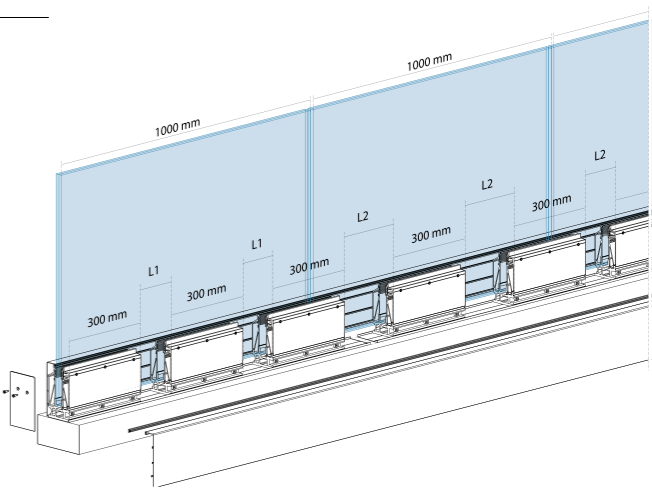


HEAVY DUTY ON-FLOOR SYSTEM

**E** line system is ultra-robust, combining the benefits of safety, transparency and functionality. It is certified to resist to linear load up to 3 KN/m. The excellent engineering design with the certified mechanical properties, make it the perfect solution for challenging situations such as sturdy constructions and highly resistant to extreme weather conditions. E line system has been installed in countless high-end projects around the world, each one having its own distinctive features and strict requirements.



Installation of supporting profile



Recommended number of bases/m	8.8.4 (17.52)				10.10.4 (21.52)				12.12.4 (25.52)			
	Height height	Handrail	L1	L2	Height height	Handrail	L1	L2	Height height	Handrail	L1	L2
600 mm	-	125 mm	200 mm		-	125 mm	200 mm		-	125 mm	200 mm	
	F85-203	550 mm	700 mm		F85-203	550 mm	700 mm		F50-203	550 mm	700 mm	
1000 mm	F85-204	550 mm	700 mm		F85-204	550 mm	700 mm		-	125 mm	200 mm	
	-	125 mm	200 mm		-	125 mm	200 mm		F50-203	125 mm	200 mm	
1200 mm	F85-203	125 mm	200 mm		F85-203	125 mm	200 mm		-	125 mm	200 mm	
	F85-204	125 mm	200 mm		F85-204	125 mm	200 mm		F50-203	125 mm	200 mm	
1100 mm	-	125 mm	200 mm		-	125 mm	200 mm		-	125 mm	200 mm	
	F85-203	125 mm	200 mm		F85-203	125 mm	200 mm		F85-203	125 mm	200 mm	
	F85-204	125 mm	200 mm		F85-204	125 mm	200 mm		F85-204	125 mm	200 mm	

Glass section E
8.8.4 (17.52)
10.10.2 (20.76)
10.10.4 (21.52)
12.12.4 (25.52)

Balustrade Type	Tempered glass panel	Height of balustrade	Static loading category (horizontal loads)	Dynamic loading category (impact test)
Crystalline-E	12.12.4 (DG41)	1200 mm	Public Function / stadiums – 3KN	
Crystalline-E	10.10.4 float laminate	1200 mm	Residential and Office buildings, with wind load 540 Pa up to 800 Pa	Residential and Office buildings
Crystalline-E	10.10.2 (DG41) float laminate	1200 mm	Residential and Office buildings, with wind load up to 1080 Pa	Public function
Crystalline-E	12.12.4 (DG41) mixed float laminate	1200 mm	Residential and Office buildings, with wind load 540 Pa up to 800 Pa	Residential and Office buildings
Crystalline-E	12.12.4 (DG41) float laminate	1200 mm	Residential and Office buildings, with wind load up to 1080 Pa	Residential and Office buildings and Public Function
Crystalline-E	10.10.4	1200 mm		Residential and Office buildings and Public Function
Crystalline-E	8.8.4 (Du Pont Sentry)	1100mm	Residential and Office buildings	Residential and Office buildings and Dynamic Missile Impact Test Weight 4.5kg <math>\leq 4.5g</math>





# Accord XSQUARE

**12**  
 Accord XSQUARE  
 Features

Cubic notion of Accord Square, with discrete, modern connections.

**13**  
 Accord XSQUARE  
 Features



**F50-102**  
 Support column 40x40

**F50-122**  
 Cover for F50-102 column



**F50-302**  
 Square 16x16x2



**4444**  
 End cap for F50-302 profile



**4245**  
 Connector for F50-102/106  
 Column with F50-302 profile



**4447**  
 End cap for F50-201 handrail



**4515Z**  
 Wall cover for F50-201/203  
 handrail (with cap)







# Horizon QUATTRO

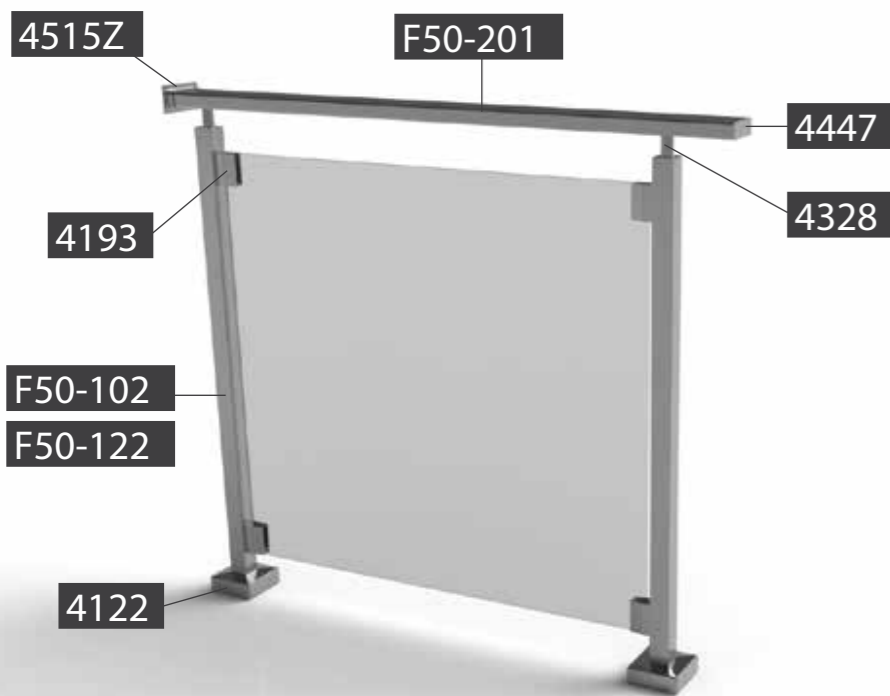
14

Horizon QUATTRO  
Features

A different version of the main design, with square profiles. Limitless view and modern design.

15

Horizon QUATTRO  
Features



**F50-102**  
Support column 40x40

**F50-122**  
Cover for F50-102 column



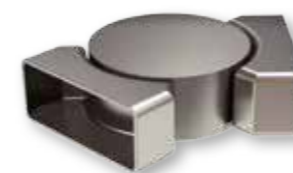
**F50-201**  
Handrail 30x80



**4193**  
Single glass support 8-10 mm  
for F50-102/106 columns



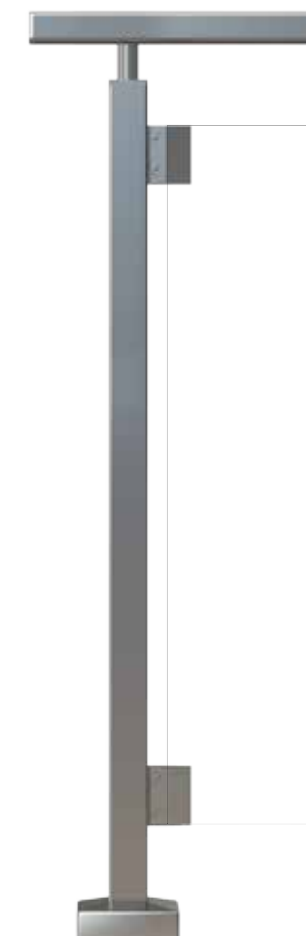
**4328**  
Support for F50-102 column  
with F50-201 handrail



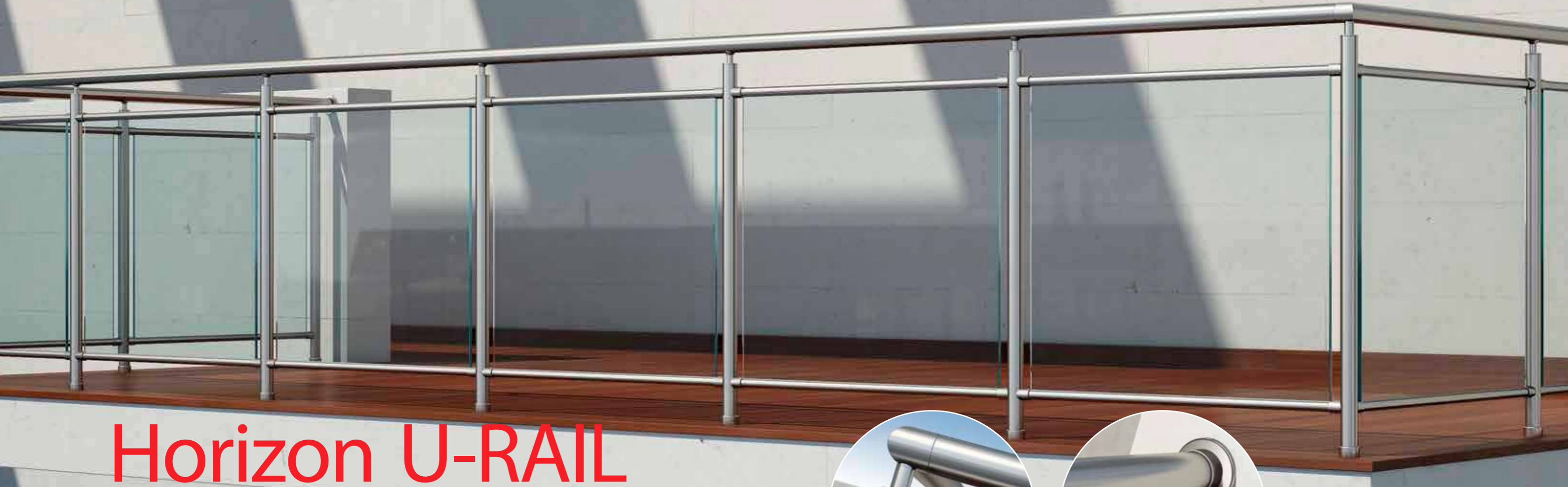
**4332**  
Adjustable corner connector for  
F50-201/203 railtop



**4122**  
Support foot for 40x40 column







# Horizon U-RAIL

16

Horizon U-RAIL  
Features

Absolute symmetry. Fine line  
harmony creates a wonderful frame  
for your own balcony view.

17

Horizon U-RAIL  
Features



**F50-100**  
Support column Ø42



**F50-305**  
Guide for glass



**4225**  
Connector for F50-100  
column with profile Ø26



**4252**  
Connector for F50-100  
Column with profile Ø26



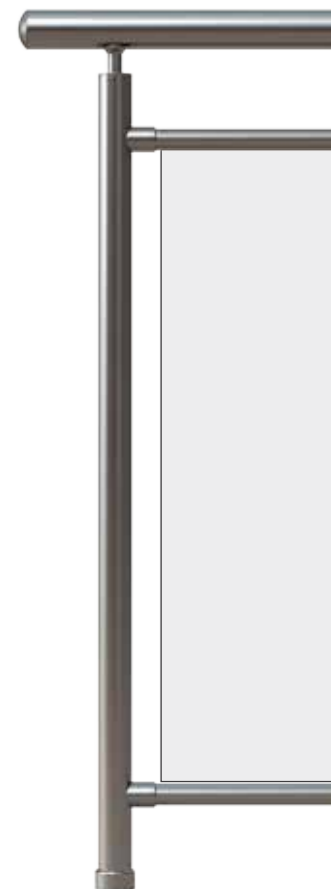
**4231**  
Ø50 Railtop corner connector  
to Ø42 column, 90°



**4314**  
Connector for handrail  
Ø50 with column Ø42



**4509Z**  
Ø50 με καπάκι  
Ø50 Railtop wall cover







## Vertical -R

One more alternative solution for the lovers of classic designs. Delicate luxury in fine lines.



## Vertical -Q

Smart match of traditional and modern. A classic railing in simple lines.

18  
Vertical-R  
Features

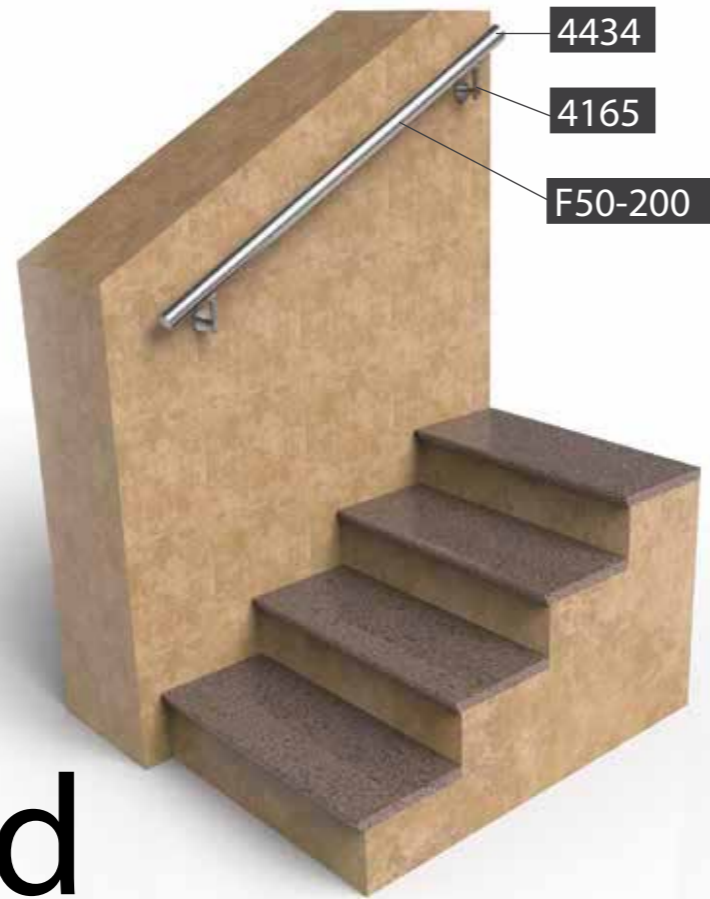
19  
Vertical-Q  
Features





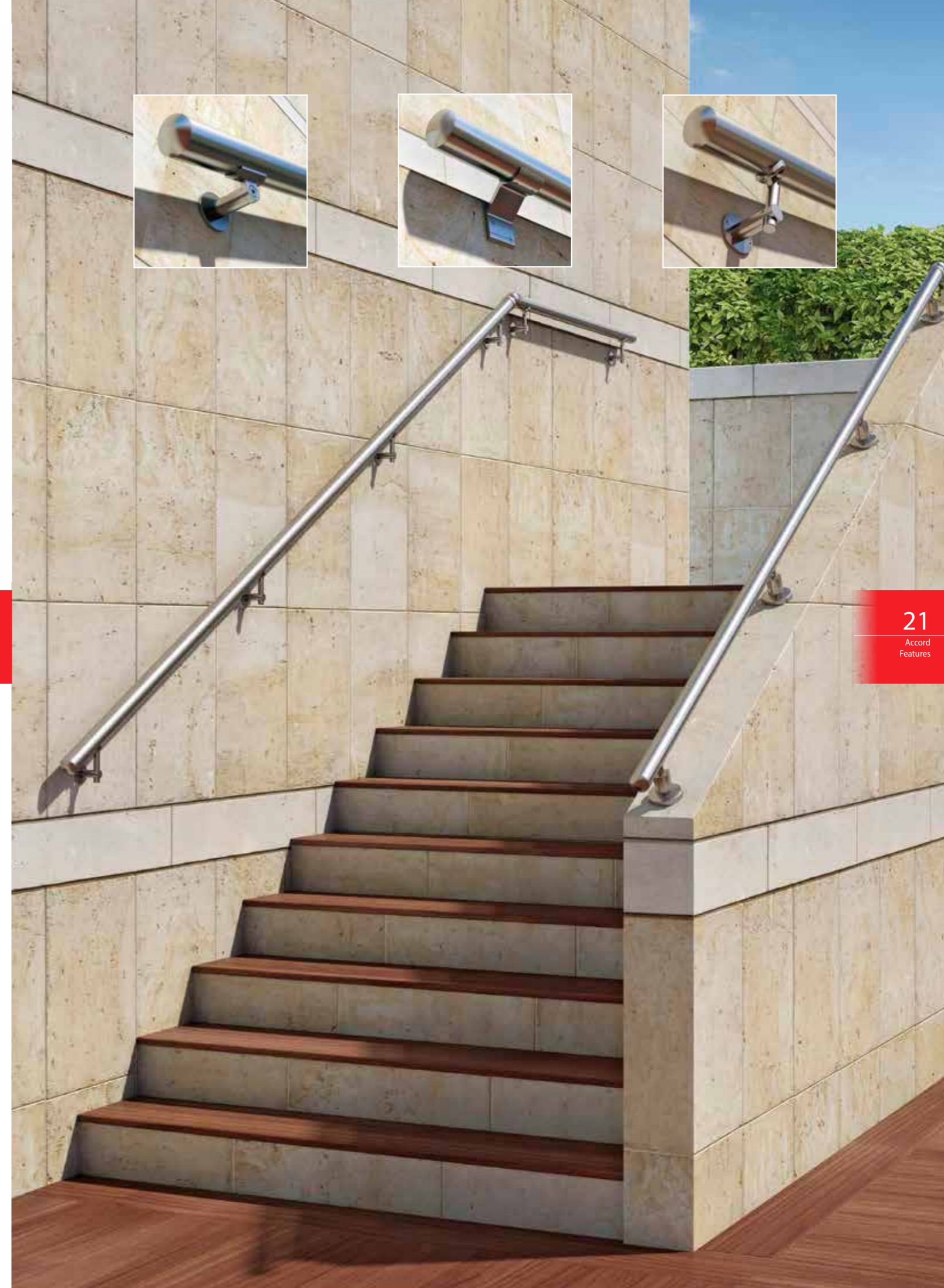


4116



# Accord

Specially designed accessories, allow application of the Accord design on any type of staircase, indoor or outdoor.



4165

Wall support for F50-200 handrail



4434

End cap for F50-200 handrail



4329

Adjustable corner connector for column Ø50



4116

Support for F50-200 railtop



F50-200

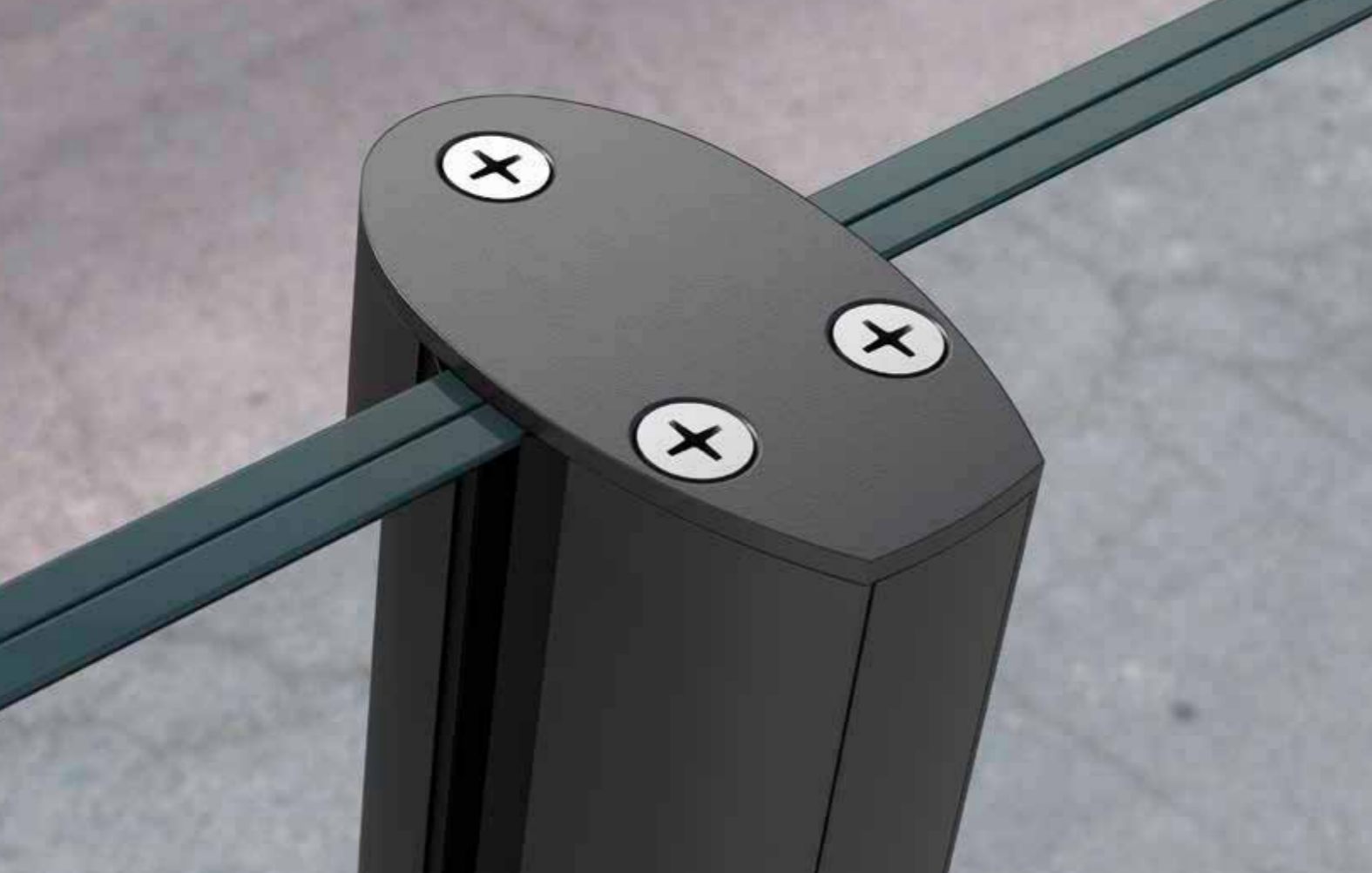
Handrail Ø50





# Orbit

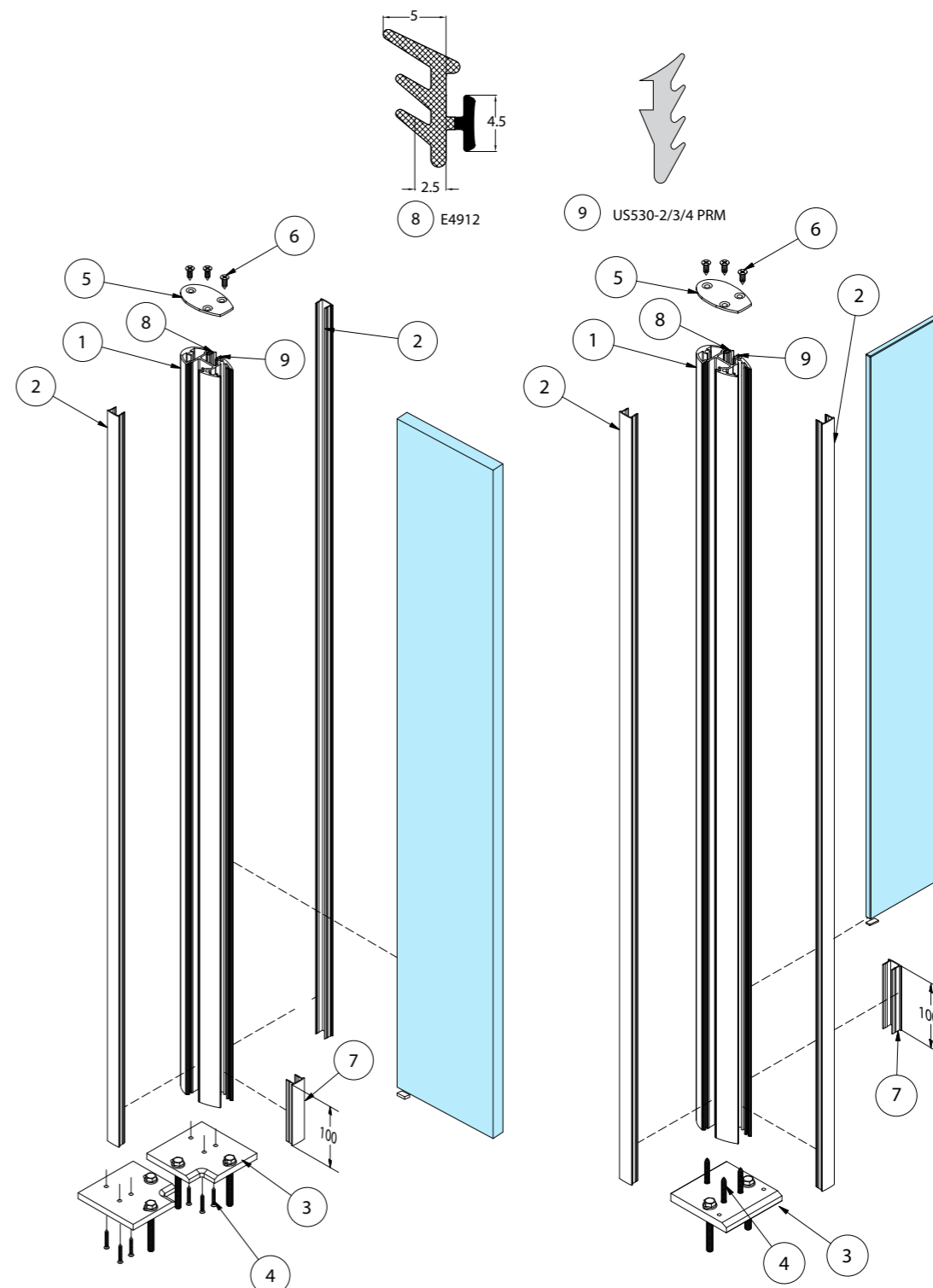




24 Particularités Features

# Orbit 1

- ⌚ Innovative elliptical design.
- ⌚ High level of robustness, ideal for large glazing openings.
- ⌚ Certification that allows the product use for projects that demand high performance standards (>1.7 KN/m).
- ⌚ Maximum height 2 m & width 1.50 m for special hotel partition applications and max. height 1.20 m and width 1.30 m for typical railing applications.
- ⌚ Ideal solution for space partition in indoor and outdoor spaces.
- ⌚ Having the use of partition cooperates with all Fusion Line handrails for all railing typologies.
- ⌚ Suitable for fixed windscreen in commercial places.
- ⌚ Available in all range of electrostatic and anodising shades.
- ⌚ Suitable for modern homes, commercial buildings and hotels.
- ⌚ Maximum glass thickness 66.2PVB=12.76 mm



PARTS LIST			
PIECE ITEM	QTE QTY	CODE	DESCRIPTION
1	1	FSN -102	ORBIT1 POST
2	2	FSN -122	POST SIDE CAP
3	1	4706	ORBIT1 FOO TPLATE
4	6	d IN7982-6.3x50	FOO TPLATE SCREWS
5	1	4924	ORBIT1 TOP COVER
6	3	d IN965-A2- m6x12	4924 SCREWS
7	1	FSN -122 (100mm)	GLASS STAND-OFF
8	1	E4912	GASKET
9	1	u S530-2/3/4 PR m	GLAZING GASKET

PARTS LIST			
PIECE ITEM	QTE QTY	CODE	DESCRIPTION
1	1	FSN -102	ORBIT1 POST
2	2	FSN -122	POST SIDE CAP
3	1	4703	ORBIT1 FOO TPLATE
4	3	d IN7982-6.3x50	FOO TPLATE SCREWS
5	1	4924	ORBIT1 TOP COVER
6	3	d IN965-A2- m6x12	4924 SCREWS
7	1	FSN -122 (100mm)	GLASS STAND-OFF
8	1	E4912	GASKET
9	1	u S530-2/3/4 PR m	GLAZING GASKET

25 Particularités Features

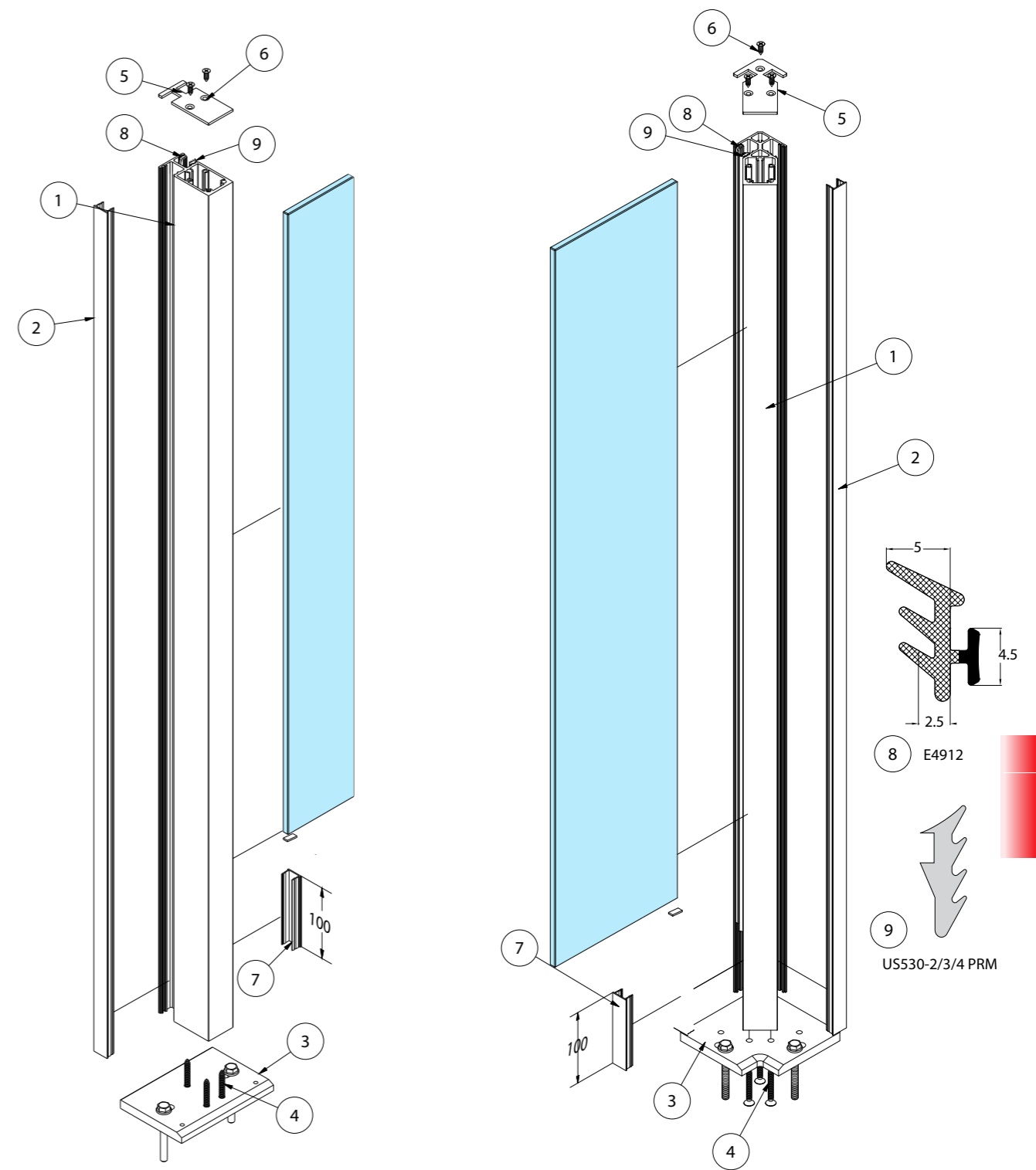
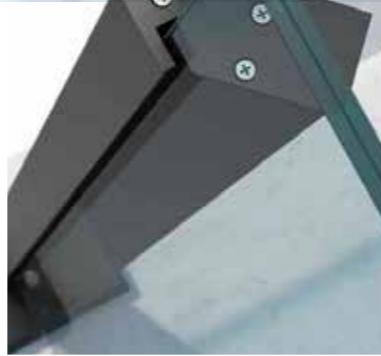
# Orbit 1

Typical post assembly



# Orbit<sup>2</sup>

- ⌚ Innovative rectangular type design.
- ⌚ High level of robustness, ideal for large glazing openings.
- ⌚ Certification that allows the product use for projects that demand High Performance Standards (>1.7 KN/m).
- ⌚ Maximum height 1.20 m & width 1.30 m for typical railing applications.
- ⌚ Maximum durability and time resistance.
- ⌚ Suitable for partition use in indoor and outdoor spaces.
- ⌚ Suitable for windbreak stable use in commercial places.
- ⌚ Available in all range of electrostatic and anodising shades.
- ⌚ Maximum glass thickness 66.4PVB=13.52 mm



PARTS LIST			
PIECE ITEM	QTE QTY	CODE	DESCRIPTION
1	1	FSN -103	ORBIT 2 POST
2	1	FSN -123	POST SIDE CAP
3	1	4704	ORBIT 2 FOOTPLATE
4	3	d IN7982-6.3x50	FOOTPLATE SCREWS
5	1	4933	ORBIT 2 TOP COVER
6	2	d IN7982-A2-4.2x16	4924 SCREWS
7	1	FSN -123 (100MM)	GLASS STAND-OFF
8	1	E4912	GASKET
9	1	u S530-2/3/4 PR m	GLAZING GASKET

PARTS LIST			
PIECE ITEM	QTE QTY	CODE	DESCRIPTION
1	1	FSN -104	ORBIT 2 POST
2	1	FSN -123	POST SIDE CAP
3	1	4705	ORBIT 2 FOOTPLATE
4	3	d IN7982-6.3x50	FOOTPLATE SCREWS
5	1	4935	ORBIT 2 TOP COVER
6	3	d IN7982-A2-4.2x16	4924 SCREWS
7	1	FSN -123 (100 mm)	GLASS STAND-OFF
8	1	E4912	GASKET
9	1	u S530-2/3/4 PR m	GLAZING GASKET





**TESTERAL**

**MANUFACTURER OF ALUMINUM WINDOWS - DOORS - GLASS FACADES**

D.O.O. TESTER-AL, Slovenski put bb, 35000 Jagodina, Serbia  
Info: +381 35 200 700, Fax +381 35 200 714, e-mail: office@testeral.com

[www.testeral.com](http://www.testeral.com)

