



ALIVER 2000(+)

Conservatories and domes
with a large span

aliplast[®]
aluminium systems

Aliver 2000(+)

APPLICATIONS

- Light streets
- Domes
- Conservatories

PARTICULAR CHARACTERISTICS

- Possibility of VICTORIAN look
- The beam profiles can be strengthened
- In VR2000+ it is also possible to reinforce the gutter profiles
- Glazing:
 - single, double or triple
 - polycarbonate panels (16 to 32 mm)
 - thermopanel
- Outward opening roof windows can be built in for the ventilation or smoke extraction in case of fire

MATERIAL

Aluminium

- Alloy Al MgSi 05-F22
- T5-T66 (according to NBN EN 755-2)

Tolerances

- Wall thicknesses and dimensions of the profiles according to NBN EN 12020-2

Seals

- EPDM (according to NBN EN 12365)

Thermische onderbreking

- Polyamide (PA 06.06.25) strips reinforced with 25% glassfiber with adhesive wire, technically approved (ATG/H726)

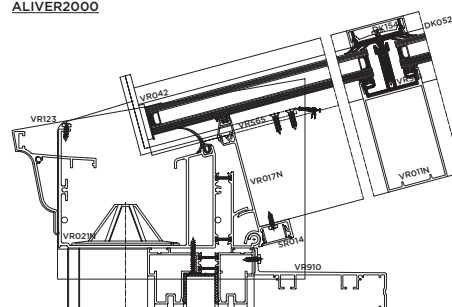
FINISHING

- Electrostatic Powdercoating: according the guidelines of A.P.A.- Qualicoat **seaside** in all current RAL-colours. Either matt or gloss finish with Qualicoat license n°219
- Timeless colours: Timeless colours with a 25-year paintwork guarantee
- Pure: architectural color trend with pure matt and structure (25-year paintwork guarantee) colors
- Life Colours: metallic structural colours
- Lacquer anodising: the qualities of an outstanding finish and the look of an anodisation
- Woodstructure: colours range with a wood look
- Metal effects: colours range that reproduces the effects of metal (aged with time)

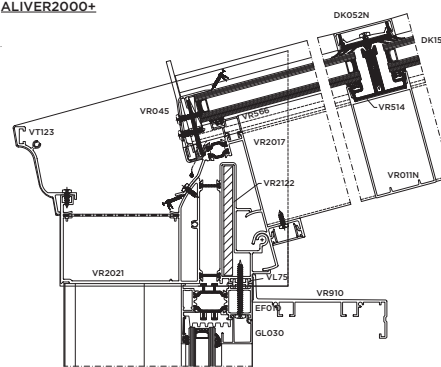
*All lacquer comes with a 15 year warranty certificate
A seaside warranty of 25 years is also offered on the
color range TC, MT, PT and T.*



ALIVER2000



ALIVER2000+



ALIPLAST PLC

WAASLANDLAAN 15 | B - 9160 LOKEREN

TEL +32 9 340 55 55 | INFO@ALIPLAST.COM | WWW.ALIPLAST.COM